

NTools SRZ

Spacer Stand

APP No. 170130

NTools SRZ is a versatile, simple and lightweight stand of a rigid and stable design. The stand has adjustable arm heights over a wide range for comfortable performance of a variety of activities. It is made of powder-coated steel tube and galvanised steel. It has overlays of soft polyethylene foam, which makes it considerably easier to position very delicate items such as glass. The overlays are very easy to remove and put on. The stand has a very wide range of applications in paint shops, body shops and craftsmen's workshops. It is used for simple preparation and finishing work, as well as for sanding and painting various types of bodywork parts. It is ideally suited for the application of adhesive to car windows.

ADVANTAGES:



EPE FOAM PROTECTIVE LINING



EASY AND QUICK INSTALLATION



WIDE RANGE OF APPLICATIONS



STABLE AND ROBUST DESIGN

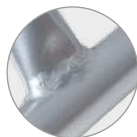
Construction:



1
Lining- PE foam
The arms are protected by a soft PE foam lining.



2
Galvanized steel design
Ensures high durability and corrosion resistance.

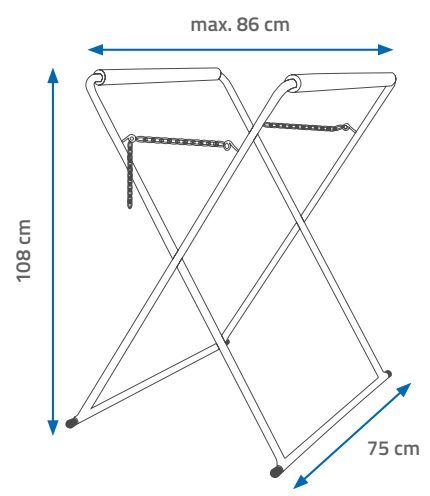


3
Adjustable arm spacing
Arms width can be adapted to the workpiece to be placed.

4
Anti-slip protection
The structure has 4 end caps, ensuring adequate stability for the applied elements.

TECHNICAL SPECIFICATIONS:

Material of manufacture	galvanized steel
Tube profile	tube 20 x 1.5 mm, powder-coated
Dimensions	height 108 x width 75 cm
Lining	grey polyethylene foam
Load-bearing capacity	90 kg
Own weight	6 kg
Maximum spacing	86 cm



ADVANTAGES

+ VERSATILE USE	+ SOFT PROTECTIVE LINING	+ ADJUSTABLE ARM SPACING
+ STABLE AND ROBUST DESIGN		+ COMPACT SIZE

APP No.	Product name	Quantity
170130	NTools SRZ - Spacer Stand	1 piece