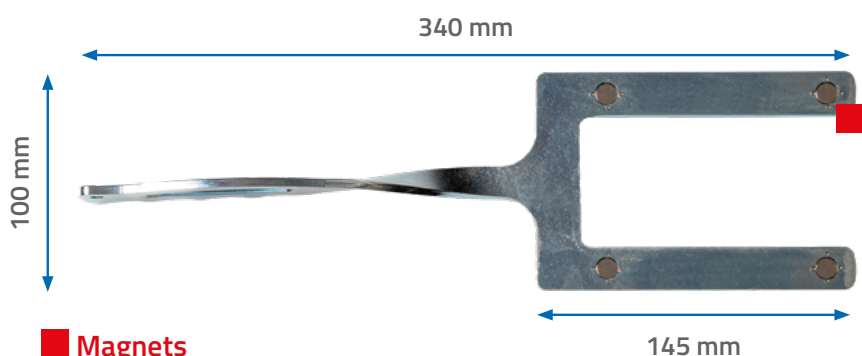


APP No. 250616

APP PUM

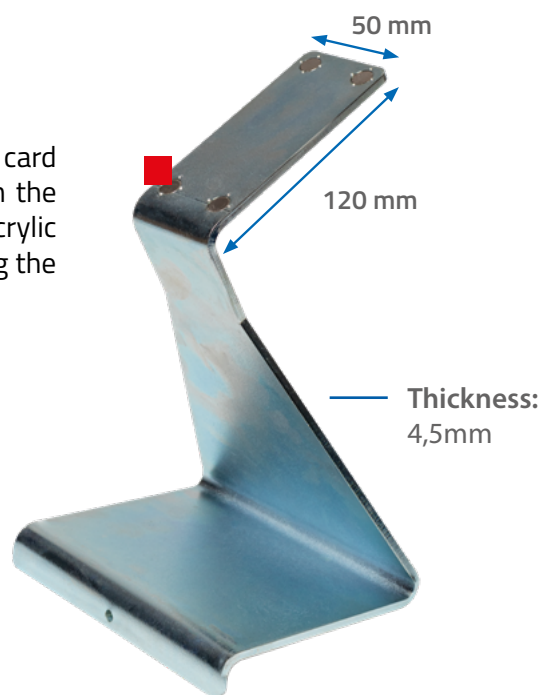
Stand and magnetic holder

APP PUM – The support and magnetic handle together with a metal test card are used to verify the colour obtained in the process of trial spray with the use of conventional priming varnishes, water-diluted and coloured acrylic varnishes. It is an indispensable tool in car paint shops and shops offering the choice of colours.



Magnets

- to hold card test
(4 pcs. on the handle, 4 pcs. on the stand)



CONNECTED PRODUCTS:



APP No. 250620
Metal test card



APP No.	Product name	Packaging
250616	APP PUM - Stand and magnetic holder	1 pcs.