

NTools WZ80 / WZ120

Spotter and Welding Equipment Cart

APP No. 350380, 350381

NTools WZ80 i NTools WZ120 WZ120 are 3-shelf carts for carriage and storage of welding equipment and spotters. Made from steel sheet 2mm thick covered with structural coat that prevents scratches and ensures stability and load capacity up to 80 kg (NTools WZ 80) and up to 120 kg (NTools WZ 120).

Carts are designed to accommodate a gas cylinder. A top tilted shelf enables operator easy access to control panel. A bottom shelf enables storage of welding accessories including triangles, rivets, welding wire etc..

FEATURES:



Load capacity:

- up to 80 kg (NTools WZ 80)
- up to 120 kg (NTools WZ 120).



3 steel sheet shelves and construction from steel sheet 2 mm thick.



3 special hangers dedicated for a hose, welding gun and hammers (counterweight).



4 wheels – two rear, big ones \varnothing 200 mm and two front castors \varnothing 100 mm.



APP Sp. z o.o.

ul. Przemysłowa 10, 62-300 Września

Customer Service Department: Phone +48 61 437 00 20, bok@app.com.pl

www.APP.com.pl

07.05.2021

Design:

NTools

1 Robust body

- made from sheet 2 mm thick covered with structural coat that prevents scratches and ensures stability.

2 Load capacity

- up to 80 kg (NTools WZ 80)
- up to 120 kg (NTools WZ 120)
Ensures stability of welding machine and welding accessories, as well as gas cylinder.

3 Hangers and holders

- For additional welding accessories and equipment including hose, welding gun and hammers (counterweight). Provided with chains to secure a gas cylinder.



4 Three strong, stabile shelves

- Including a tilted top shelf that ensures an operator easy access to control panel.

5 Robust wheels

- Rubberized to ensure high performance and stability. Cart may be used outside and inside also on an irregular ground. The front castors ensure easy manoeuvres

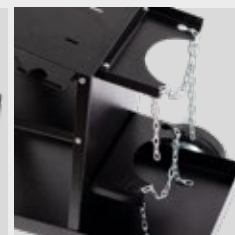
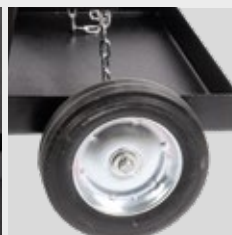
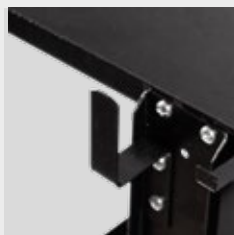


Table of Models and Technical Data:

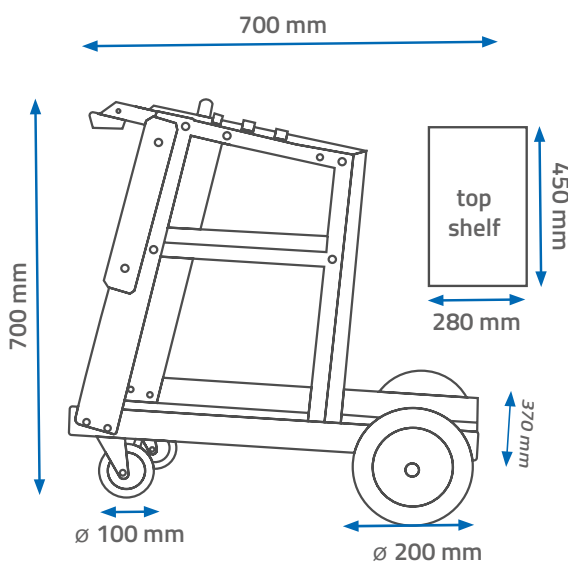
Model	APP Nr 350380 NTools WZ80 Spotter and Equipment Cart	APP Nr 350381 NTools WZ120 Welding Equipment Cart
-------	--	---

NTools

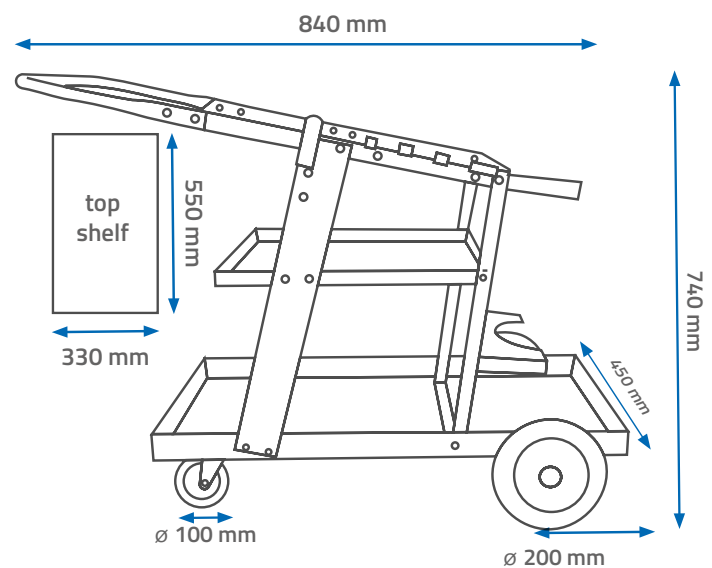


DANE TECHNICZNE:

Load capacity	80 kg	120 kg
Weight	17.7 kg	23.5 kg
Holders	3	3
Handle for pulling	NO	YES
Top shelf dimensions	280 x 450 mm	330 x 550 mm
Cart dimensions	700/370/700 mm	840/450/740 mm
Front wheels	castor (ø 100 mm)	castor (ø 100 mm)
Rear wheels	fixed (ø 200 mm) with plastic flange	fixed (ø 200 mm) with metal flange



NTools WZ80



NTools WZ120

USE		
GARAGES AND AUTO BODY SHOPS	WELDER SHOPS	INDUSTRY AND MANUFACTURE OF WELDED COMPONENTS
		

SET INCLUDES:

- 3-shelf cart,
- Hose dedicated hanger,
- Hammer dedicated hanger,
- Welding gun dedicated hanger,
- Two chains to secure gas cylinder (NTools WZ80) or two holders along with chains to secure gas cylinder (NTools WZ120),
- User manual.

PURPOSE:

Carts purposed for carriage of welding equipment. Perfect for carriage of spotters offered by APP:

- **NTools DIGI SPOT 3000** - Compact electronic spotter along with accessories (NTools nr 350004D),
- **NTools DIGI SPOT 3000 Plus** - Compact electronic spotter along with accessories (NTools nr 350004DP),
- **NTools ALU SPOT 3000** - Compact spotter along with accessories (NTools nr 352600).



ADVANTAGES

+
STABLE, ROBUST CONSTRUCTION MADE FROM STEEL SHEET 2 MM THICK- COVERED WITH STRUCTURAL COAT.

+
THREE SHELVES CARRYING WELDING MACHINE AND FOR STORAGE OF WELDING ACCESSORIES.

+
TILTED TOP SHELF THAT FACILITATE ACCESS TO CONTROL PANEL.

+
SPECIAL HANGERS FOR A HOSE AND WELDING GUN, AS WELL AS HAMMERS (COUNTERWEIGHT).

APP No.	Product Description	Load capacity	Top shelf dimensions	Qty
350380	NTools WZ80 - Spotter and welding equipment cart	80 kg	28 x 45 cm	1 item
350381	NTools WZ120 - Welding equipment cart	120 kg	33 x 55 cm	1 item