

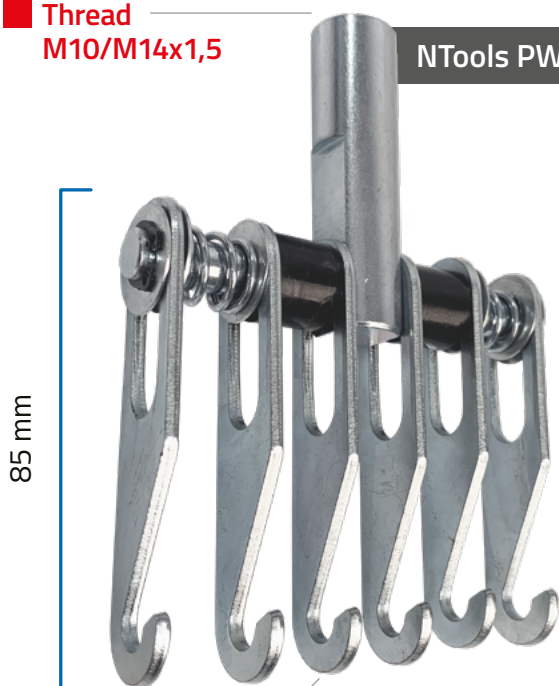
APP No. 351063N, 351064N

## NTools PW 9/10

### Dent pulling hook

NTools PW 9/10 – dent pulling hooks (6 and 8 forged claw hooks) for pulling dents with wiggle wires or washers. They can be used with any counterweight with M14 x 1.5 thread or dent pull lever bar APP No. 351497.

■ Thread M10/M14x1,5 **NTools PW 9**



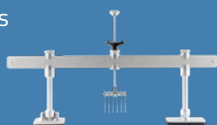
■ 6 claws

■ Thread M10/M14x1,5 **NTools PW 10**



■ 8 claws

The hooks can be used with NTools BW-Standard dent pull lever bar **NTools BW-Standard** (APP No. 351497)



The hooks can be used with counterweights (APP No.):  
**351030** – NTools PW 8, **351033** – NTools PW 3,  
**351034** – NTools PW 2, **351036** – NTools PW 6,  
**351038** – NTools PW 7, **350378** – NTools PW 5.



APP No.	Product name	Number of claws	Packaging
351063N	NTools PW 9 - Dent pulling hooks	6	1 pcs.
351064N	NTools PW 10 - Dent pulling hooks	8	1 pcs.
351397P	NTools PW 9/10 - Dent pulling hooks (spare part)	1	1 pcs.