

NTools PDR Carbon Hammer

Hammer with Replaceable Attachments and Extension

APP No. 351920

NTools PDR Carbon Hammer is purposed for hammering out namely works carried out to remove irregularities of car body resulted from PDR repairs.

Provided with CARBON fibre shaft that features with low weight and good strength. It features with mat surface (finish polishing) that ensures good grip during use. It is provided with aluminium head with threaded internal holes for dedicated attachments.

FEATURES:



ALUMINIUM
HEAD



CARBON
SHAFT



MODULAR
CONSTRUCTION

Design:

1

Wooden case

- Delivered in wooden case with lock that ensures protection during transport and storage. The case additionally is padded with foam that accommodates each part individually. (sized 460 x 80 x 57 mm)

2

Head

- Aluminum head provided with threaded holes dedicated for attachments. Compatible with mallet attachments NTools PA9 (APP No.. 351864)

3

Screw-on ball

- Ball provided at the end ensures good grip and comfortable movements and prevents wrist fatigue during works. Ensures precision during repair of irregularities.

4

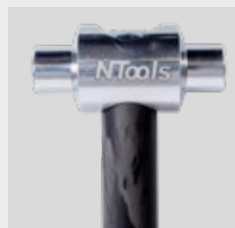
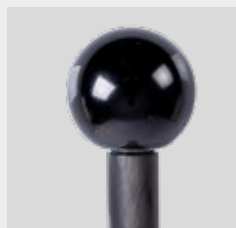
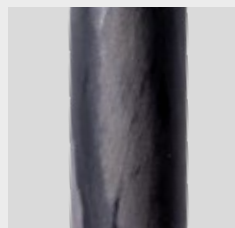
Shaft along with extension

- Made from carbon fibre to ensure low weight and strength. An extension increases hammer length by 20 cm., what enables repairs of irregularities that are visible at large distance only.

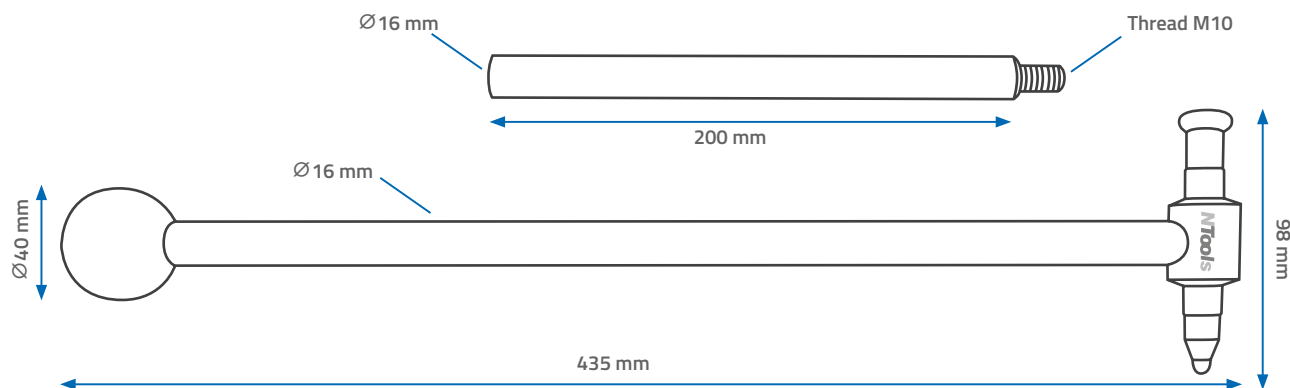
5

Two attachments

- The first attachment made from polished stainless steel dedicated for hammering –out.
- The second made from PA (Polyamide) is provided with sharp tip that enables elimination of small irregularities of mild shape.

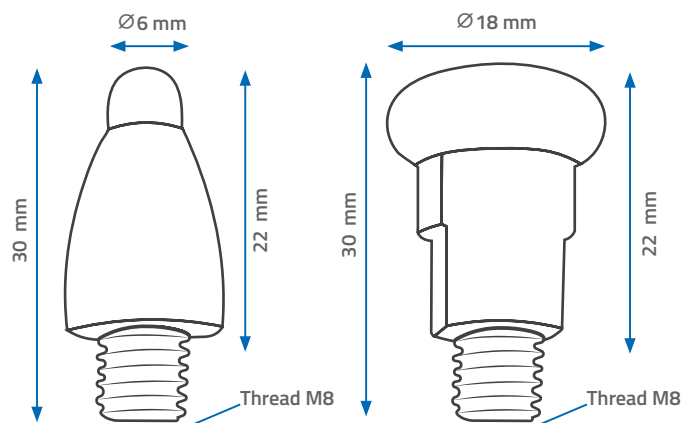
1**2****3****4****5**

Design:

TECHNICAL DATA:

Total length	435 mm (with extension 635 mm)
Extension length	200 mm
Shaft diameter	Ø16 mm
Ball diameter	Ø40 mm
Mass without attachments and ball	130 g
Total mass incl. attachments and ball	215 g
Extension mass	55 g
Attachment thread	M8
Extension thread	M10



ADVANTAGES

+	POLISHED SHAFT SURFACE	+	LIGHT CONSTRUCTION	+	COMFORTABLE
+	PRECISELY BALANCED	+	PROVIDED WITH EXTENSION	+	REPLACEABLE ATTACHMENTS

APP No.	Product Description	Qty
351920	NTools PDR Carbon Hammer - Hammer with replaceable attachments and extension	1 item