

NTools RIM GRIP

Holder with clamp for painting car rims

APP Nr 170102F

NTools RIM GRIP
is a tool designed
for painting car rims

- made of steel
- made of aluminium.

NTools RIM GRIP is an universal holder
designed **for each type of car rims.**

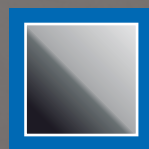
Characteristics:



RUBBER
PROTECTIVE COVERS



ROTATING CAP



GALVANIZED
STEEL



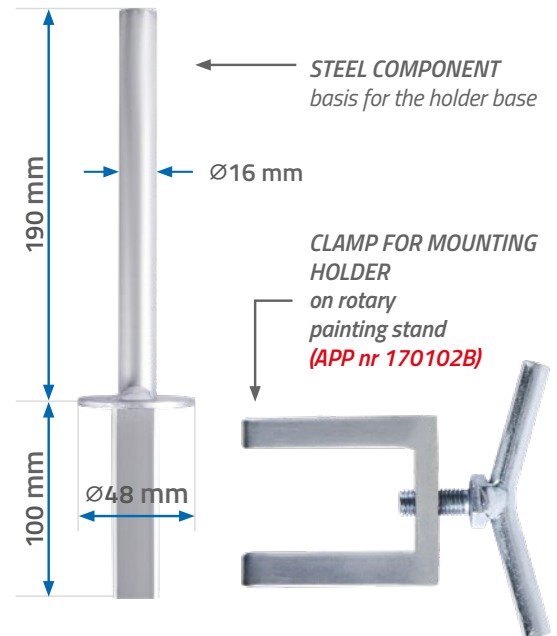
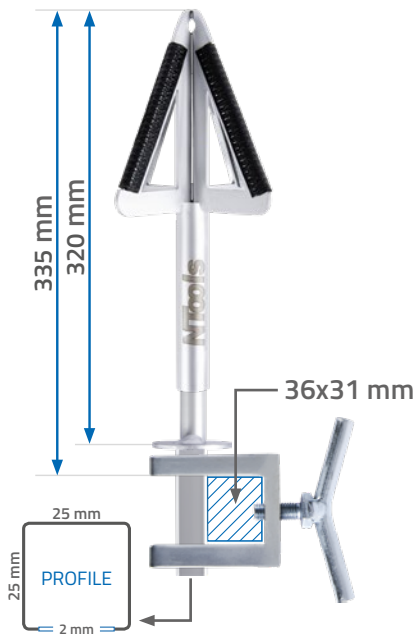
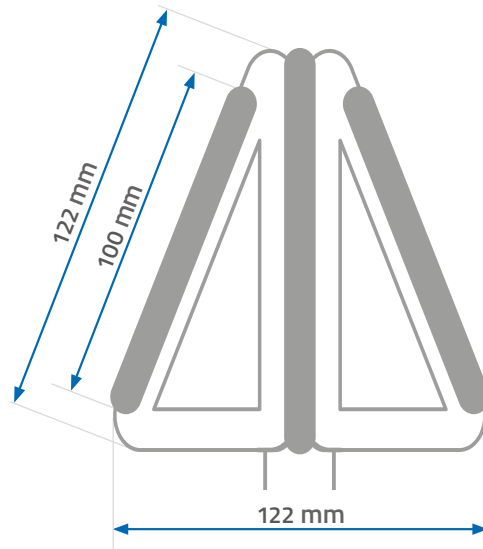
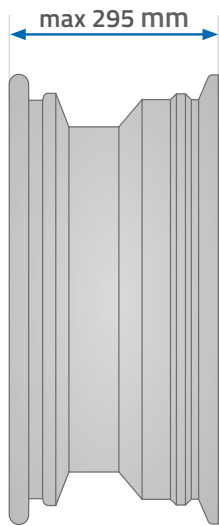
FUNCTIONAL
MOUNTING BRACKE



NTools RIM GRIP

Holder with clamp for painting car rims

Construction:



ADVANTAGES

+
ROBUST DESIGN

+
QUICK INSTALLATION

+
EASY TO USE

APP No.	Product Name	Quantity
170102F	NTools RIM GRIP - Holder with clamp for painting car rims	1