

NTools ZUR

All-Purpose Adjustable Catch (Hook)

APP No. 170102I

NTools ZUR is an all-purpose catch provided with an adjustable hook that is compatible with APP branded stands used during painting works.



GALVANIZED STEEL

NTools ZUR is compatible with all brands and models of vehicles.

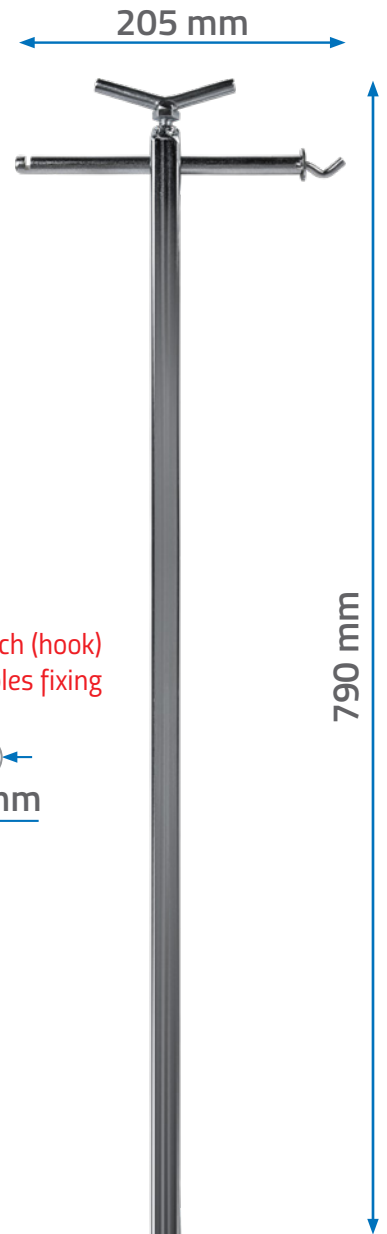
NTools ZUR

All-Purpose Adjustable Catch (Hook)

Design:

Technical Data:

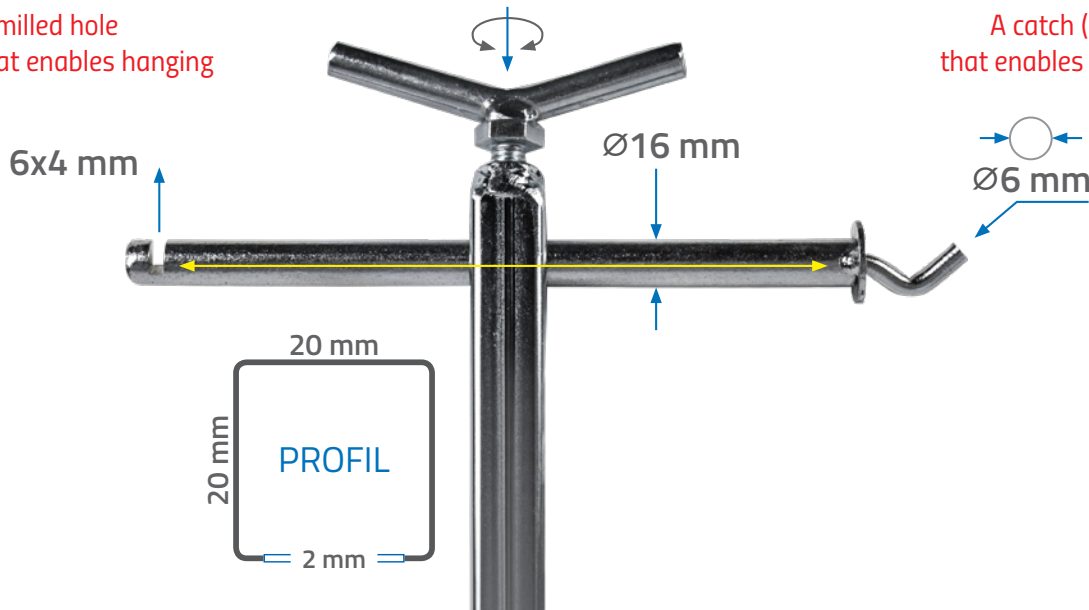
Total length	790 mm
Profile	20 x 20 mm
Length	205 mm
Diameter	12 mm
Hook diameter	6 mm
Hole size	6 x 4 mm
Max distance from profile	175 mm
Material	Galvanized steel



The top part is provided with a bar and knob for adjustment of distance of an element from the stand.

A milled hole that enables hanging

A catch (hook) that enables fixing



ADVANTAGES	+	+	+
	ADJUSTABLE	ALL-PURPOSE USE	ROBUST CONSTRUCTION

APP No.	Product Description	Qty
170102I	NTools ZUR - All-Purpose Adjustable Catch (Hook)	1