

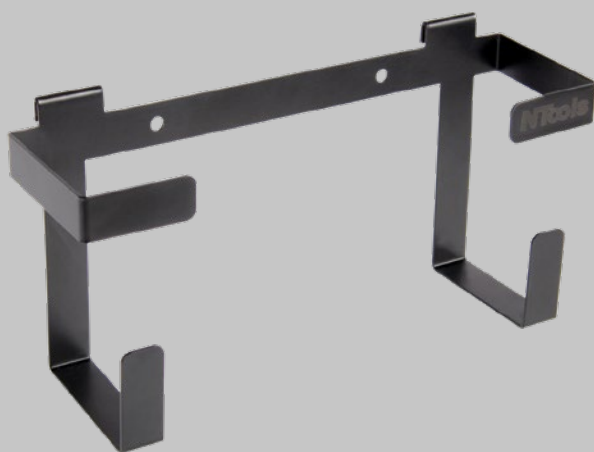
# NTools GH

Glove and Abrasive Pad Hanger

APP Nr 170113

## NTools GH

makes for a modular part that enables extension of NTools Boards to provide for additional functionality.



Made from steel, powder coated in whole in black colour.

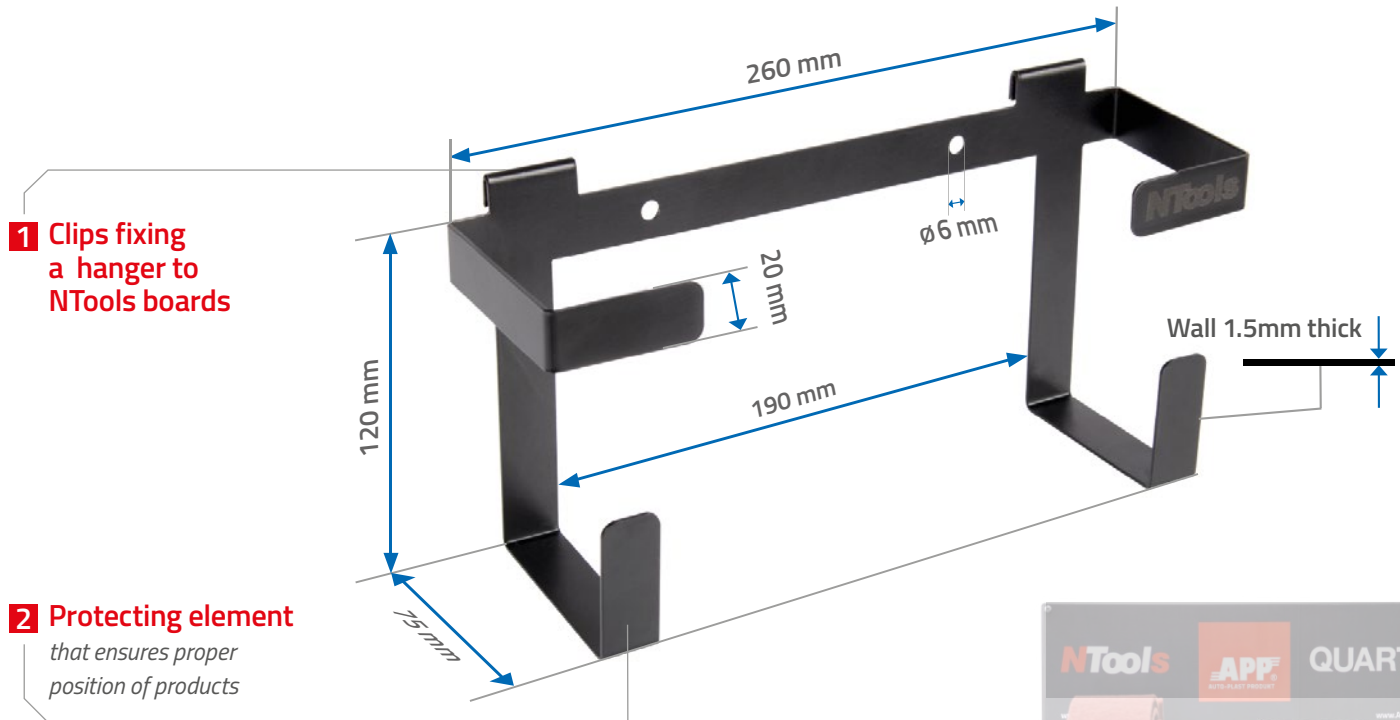


# NTools GH

Glove and Abrasive Pad Hanger

Design:

**NTools**



APP No.	Product Description	Qty
170113	NTools GH – Glove and Abrasive Pad Hanger	1