

# NTools TPH

Power Towel and Wiper Hanger

APP Nr 170117

## NTools TPH

makes for a modular part that enables extension of NTools Boards to provide for additional functionality.



Made from steel, powder coated  
in whole in black colour.

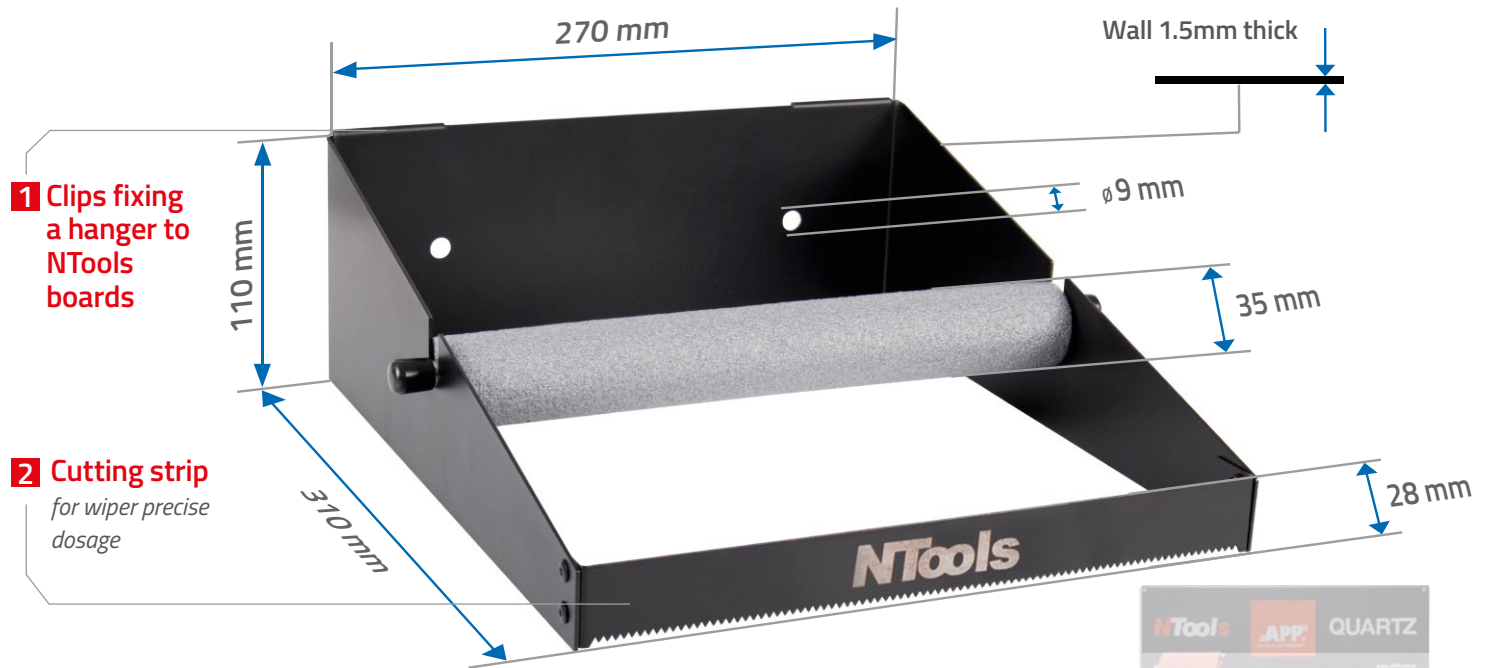


# NTools TPH

## Power Towel and Wiper Hanger

Design:

**NTools**



Max. roller diameter 30 cm  
Max. roller width 26 cm

Hanger dedicated for the following wipers:

APP Standard CT,  
APP Premium CT,  
APP Standard Mini CT.



**DEDICATED PRODUCTS:**



Two-layer wipers  
APP Standard CT  
App No. 090413



Three-layer wipers  
APP Premium CT  
APP No. 090414



Two-layer wipers  
Standard Mini CT  
App No. 090416

No.	Product Description	Qty
170117	NTools TPH - Power Towel and Wiper Hanger	1