

# NTools UNI Stand

All-Purpose Folding Stand with Rubber Grips

APP No. 170150

NTools UNI Stand is a foldable stand of robust design that is perfect for works related to repairs of car body elements, preparation of windows for assembly and many other.

It is widely used in body & paint shops, garages and services, as well as during delivery of different household works. Thanks to span adjustment it is perfect for any size of elements.

## ADVANTAGES:



EPE FOAM  
PROTECTIVE  
WRAPPING



QUICK ASSEMBLY  
ca. 5 min.



WIDE RANGE  
OF USES



RUBBERIZED  
GRIPS



# NTools UNI Stand

All-Purpose Folding Stand with Rubber Grips

Design:

**NTools**

**1**

### Wrapping- Foam

Traverses provided with EPE soft foam wrapping to protect shocks and damages.

**2**

### Rubberized grips

For stability of elements placed on the stand. Grips may be dismantled in quick and easy way to convert the stand into standard folding one.

**3**

### Caps

For protection against sharp edges and prevention against scratch related damages.

**4**

### Galvanized steel

For long durability and anti-corrosion protection.

**5**

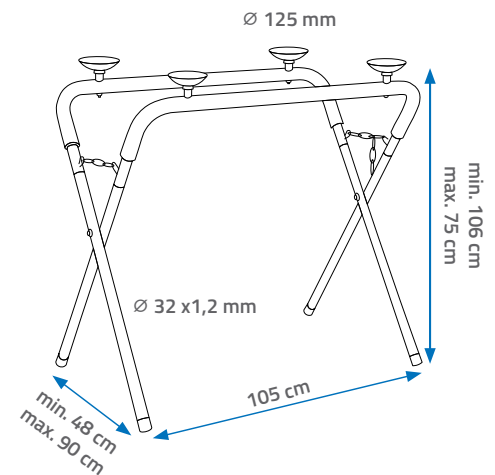
### Chain

For span adjustment and positioning according to individual needs.



## TECHNICAL DATA:

Material	galvanized steel
Round profile	32 x 1,2 mm
Max. dimensions (L x W x H)	1050 x 900 x 750 mm
Min. dimensions (L x W x H)	1050 x 480 x 1060 mm
Wrapping	Grey EPE foam
Grip size	125 mm (4 items + screws)
Load capacity	up to 150kg
Mass	8 kg



ADVANTAGES



FOLDABLE AND LIGHT



ALL-PURPOSE USE



ADJUSTABLE WIDTH AND HEIGHT



EASY AND QUICK ASSEMBLY



SOFT PROTECTIVE WRAPPING

APP No.	Product Description	Qty
170150	NTools UNI Stand - All-Purpose Folding Stand with Rubber Grips	1 item

APP Sp. z o.o.

ul. Przemysłowa 10, 62-300 Września

Customer Service Department: Phone +48 61 437 00 20, bok@app.com.pl

[www.APP.com.pl](http://www.APP.com.pl)

13.11.2020

