

NTools SG GRIP

Spray Gun Holder

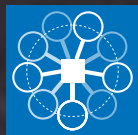
APP No. 170228

NTools SG GRIP

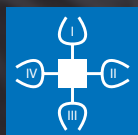
Spray gun dedicated high quality holder.
Accommodates 4 spray guns
at the same time.

NTools SG GRIP facilitates
storage of spray guns and work
management in paint shop.

ADVANTAGES:



ROTARY
STRAINER HOLDER



ACCOMMODATES
4 SPRAY GUNS

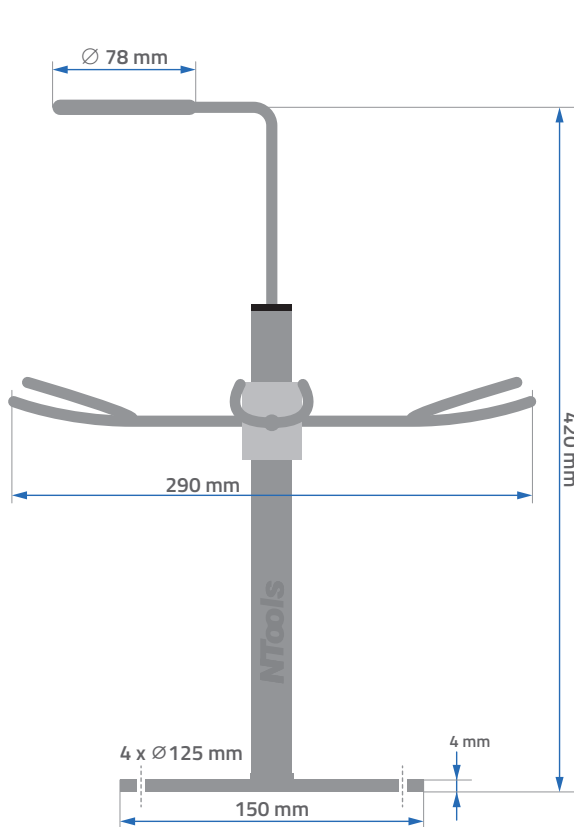


STABLE AND
ROBUST DESIGN



Design:

NTools

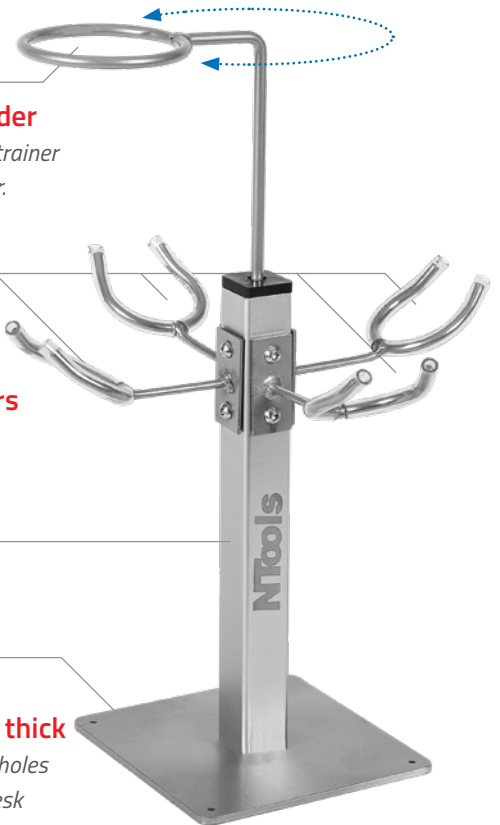


1 Rotary strainer holder
360° - you can place a strainer precisely over a container.

2 4 rubberized holders
Spray gun dedicated profiled holders

3 Robust design
Powder coated structure

4 Solid construction
15x15cm and 4mm thick
Provided with \varnothing 125mm holes to fasten the holder to desk top or other shop furniture.



1



2



3



4



ADVANTAGES

+

ACCOMMODATES
4 SPRAY GUNS
AT THE SAME TIME.

+

ROTARY
STRAINER
HOLDER

+

RUBBERIZED
HOLDERS

+

ROBUST
CONSTRUCTION

+

STABILITY

APP No.

Name

Qty

170228

NTools SG GRIP - Spray Gun Holder

1 pc.

APP Sp. z o.o.

ul. Przemysłowa 10, 62-300 Września
Biuro Obsługi Klienta: tel. +48 61 437 00 20, bok@app.com.pl

31.07.2020

www.APP.com.pl

