

NTools PDR RACK

Mobile Rack

APP No. 170507

NTools PDR RACK is a mobile rack dedicated for works related to car body paintless dent repairs.

It enables fixing of dismantled car components including: Bonnet and tailboard, mudguard or door.

NTools PDR RACK is purposed for workshops and garages and works related to smart repair, painting, body& paint service, detailing as well as other small shops.

ADVANTAGES:



EASY TO
TRANSPORT



MANY
USES



HIGH
MOBILITY

NTools PDR RACK made from galvanized steel profiles and powder coated scissor.

NTools PDR RACK

Mobile Rack

Design:

NTools

1
Span adjustment knobs

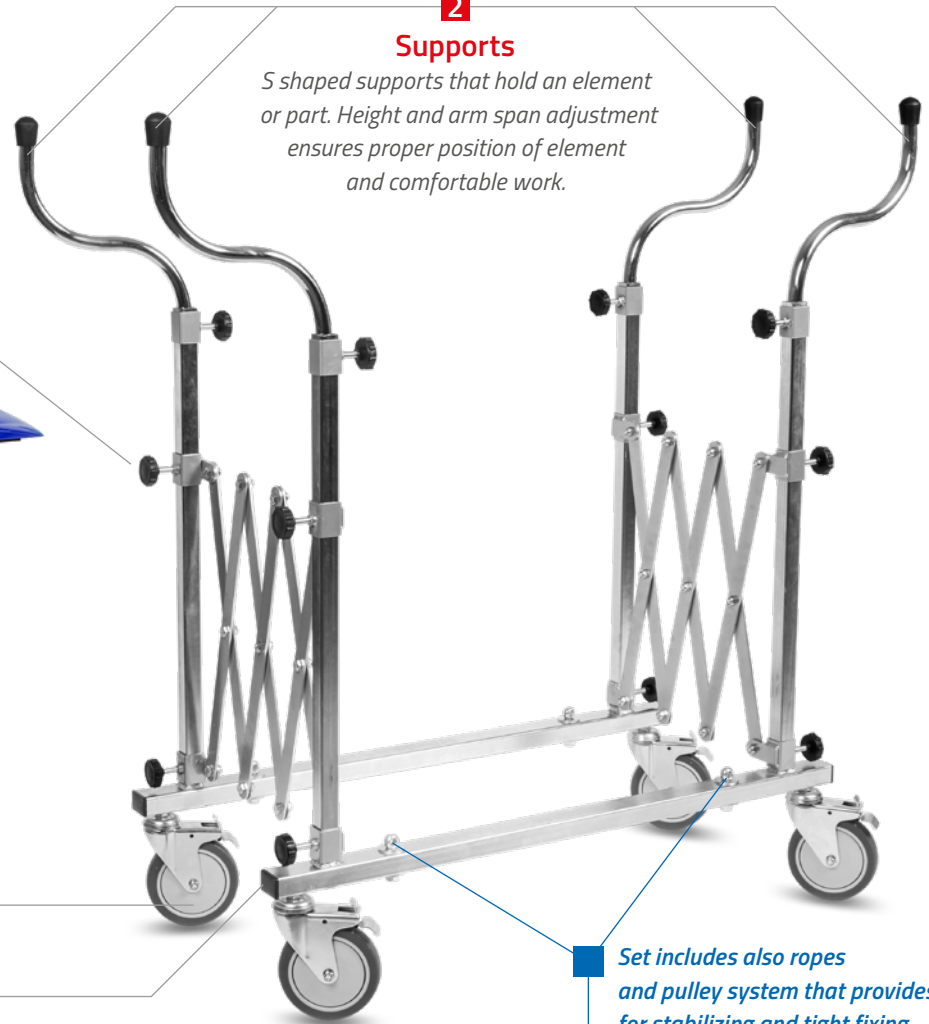
ensure additional stabilizing, and stiffen the arm

Rack is provided with length adjustment for fixing the elements of different size.



2
Supports

S shaped supports that hold an element or part. Height and arm span adjustment ensures proper position of element and comfortable work.



3
Rubber casters

large casters with a brake

4
Plastic caps

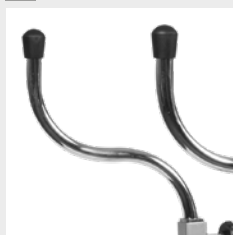
to protect against sharp edges

Set includes also ropes and pulley system that provides for stabilizing and tight fixing of elements.

1



2



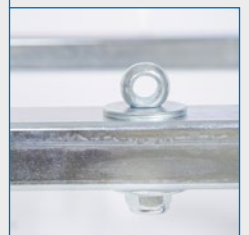
3



4



4 items

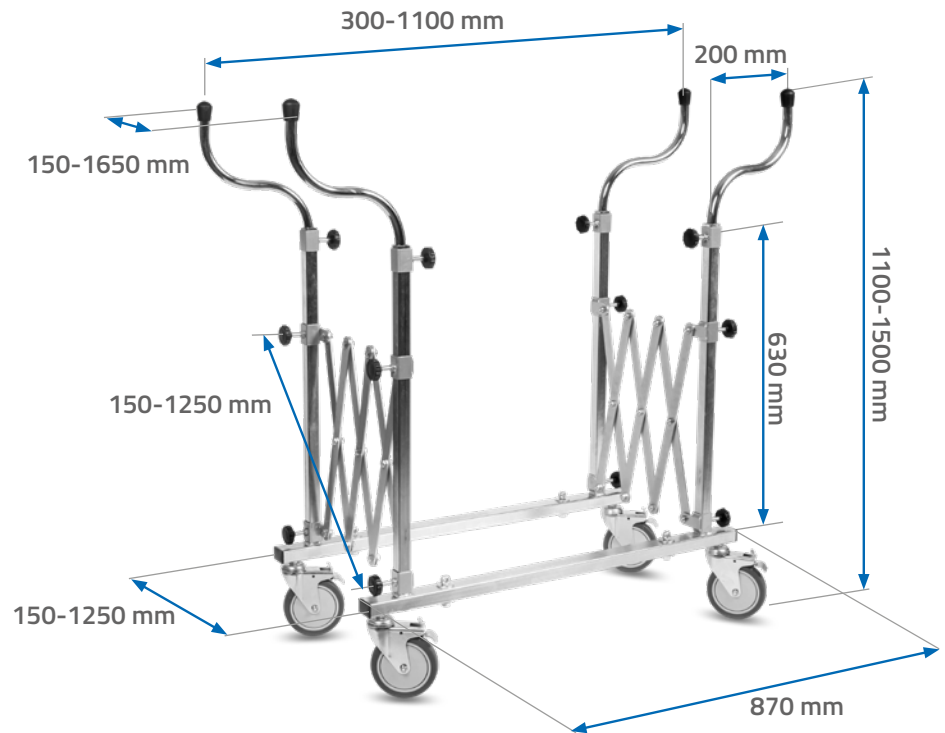


Technical Data:

Length	150-1250 mm
Width	870 mm
Span range	150-1650 mm 300-1100 mm
Height range	1100-1500 mm
Wheel dia.	100 mm (rubber)
Mass	16,5 kg
Load capacity	40 kg

Thanks to mobile design you can place the rack in any position during work without displacement of working lamps.

You can also fold the rack to save spaces during handling or storage.



ADVANTAGES



STRONG AND COMPACT DESIGN
Easy to transport



ALL-PURPOSE USE



EASY TO USE, HIGH MOBILITY

APP No.	Product Description	Qty
170507	NTools PDR RACK – Mobile Rack	1