

NTools 3S Heavy

Workshop Cart with 3 Shelves

APP No. 170539

NTools 3S Heavy is a robust and high capacity workshop cart that features very strong construction. Purposed for works delivered at woodworking shops, as well as body & paint services. It enables storage and carriage of tools and devices used during works. Provided with 3 deep and high capacity shelves, as well as holes that allow fixing of hooks (delivered with cart). It is also provided with large slots that enable insertion of power supply cables of electric and air-driven devices operated during works. Fitted with 4 strong rubberized castors with brake. Provided with handles for easy manoeuvring.

For many uses in shops and during different household works also.

ADVANTAGES:



STRONG
CONSTRUCTION



HIGH
CAPACITY



MANY
USES



NTools 3S Heavy

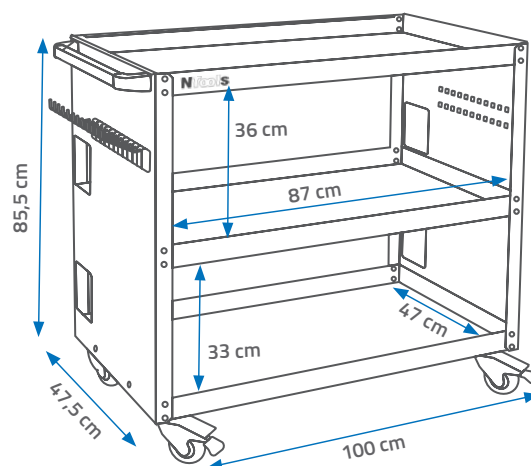
Workshop Cart with 3 Shelves

Design:




TECHNICAL DATA:

Material	Powder coated steel, aluminium, plastic
Thickness	1,5 mm
Dimensions (L x W x H)	1000 x 475 x 855 mm
Shelf dimensions (L x W x H)	870 x 470 x 50 mm
Load capacity	up to 350 kg
Mass	28 kg
Wheel size	80 x 32 mm



ADVANTAGES

+
ROBUST
CONSTRUCTION

+
MANY
USES

+
HIGH LOAD
CAPACITY

+
SUFFICIENTLY LARGE
SHELVES

+
RUBBERIZED WHEELS
WITH BRAKE

APP No.	Product Description	Qty
170539	NTools 3S Heavy – Workshop Cart with 3 Shelves	1 item