

NTools MS TAB

Abrasive Storage Board along with 2 Dispensers and Shelf

APP No. 170705

NTools MS TAB Board purposed for storage of abrasives.

Set includes:

- **Board**
- **Two dispensers**
dosage of fabric or rolled sandpaper
- **Shelf**
storage of different abrasives



Board, dispensers and shelf made from steel powder-painted in black.

Designed as wall-mounted board.

Set includes:

Assembly Manual, screws, wall plugs.

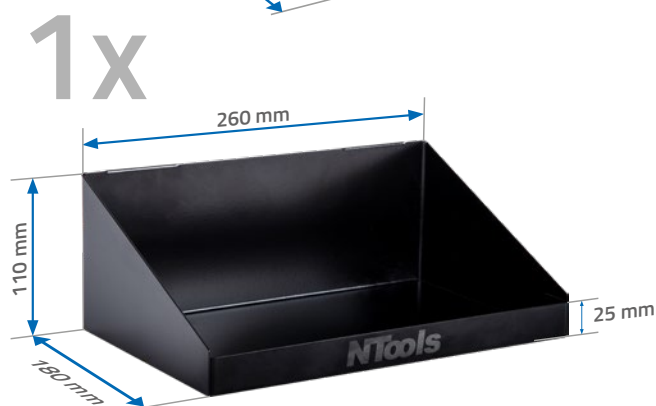
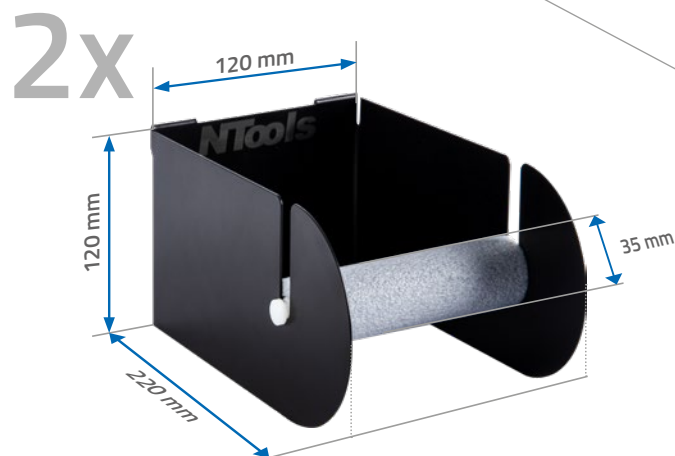
NTools MS TAB

Abrasive Storage Board
along with 2 Dispensers and Shelf

Design:



1 Assembly holes
that allow adjustment
of dispenser and shelf position



APP No.	Product Description	Qty
170705	NTools MS TAB – Board	1
	NTools MS TAB P – Shelf	1
	NTools MS TAB D – Rolled Abrasive Dispenser	2

NTools MS TAB P, NTools MS TAB D

Shelf and Abrasive Dispenser

APP Nr 170706,170707

NTools MS TAB Shelf

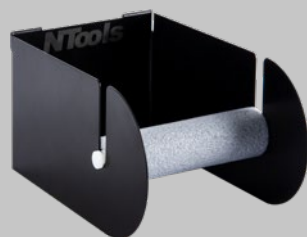
NTools MS TAB Dispenser

Modules allow extension of NTools boards to provide additional functionality.

MS TAB P
170706



MS TAB D
170707



Made from steel
and powder-painted in black.



Budowa:

NTools

1 Catches

2 Cover

Additional protection of shank

3 Shank

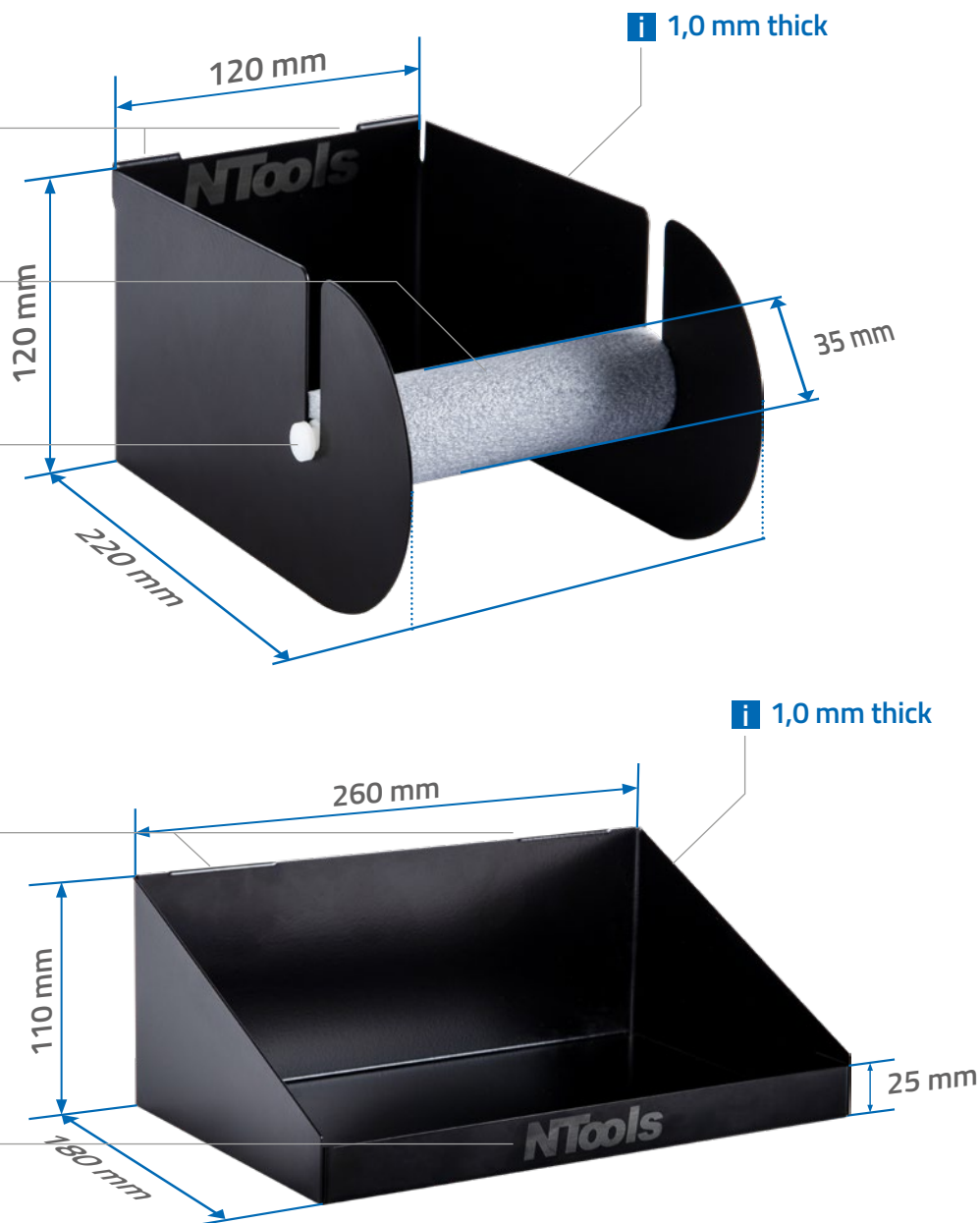
Plastic shank that protects a roll against sliding out



1 Catches

2 Front panel

that ensures stable storage of products



APP No.	Product Description	Qty
170706	NTools MS TAB P – Shelf	1
170707	NTools MS TAB D – Rolled Abrasive Dispenser	1