

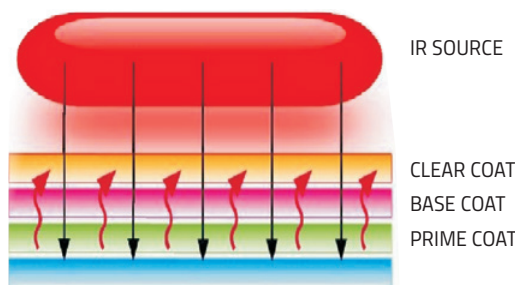


• **NTools FDS 3300**
Radiator (3.3 kW) with time and temperature adjustment on telescopic arm

The infrared radiators NTools FDS (Fast Dry System) are equipped with high-quality reflectors and short-wave quartz lamps, emitting short infrared waves. Due to short waves the infrared radiation penetrates the material and immediately reaches the substrate without heating air around the lamp and the dried object.

The drying process starts from the deepest layers of dried coating and is realized uniformly in the whole layer volume. It assures faster and more uniform solvent evaporation, reducing risk of trapping it in the coating.

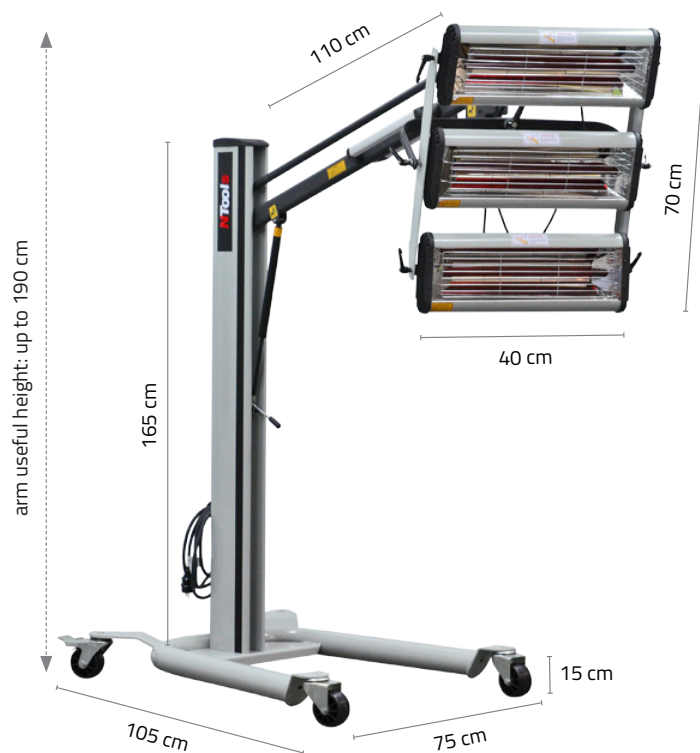
Such heating method virtually eliminated all defects caused by such effect and accelerates hardening of the individual materials used in the whole repair lacquering cycle. The NTools NDS radiators allow for quick and economical heating of primers, putties, top coats, and clear coats.

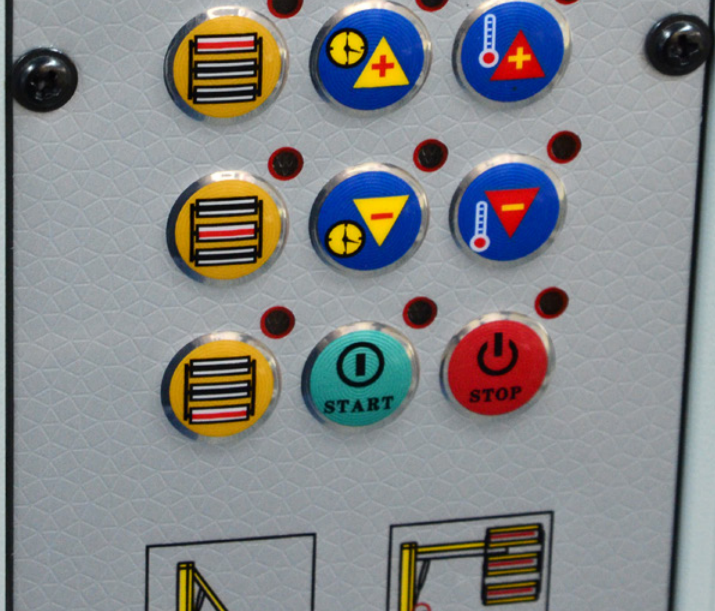


The table below shows times required for drying various lacquering materials.

Material	Approximate drying times		
	Ir short-wave radiator	Lacquering cabin	Natural drying*
Putties	6 - 7 minut	10 - 20 minut	approx. 30-60 min
Primers	5 - 10 min	15 - 25 min	approx. 25-30 min
Prime coats	10 - 15 minut	30-45 minut	approx. 240 min
Acrylic lacquers	15 - 20 minut	30-45 minut	approx. 240 min
Clear lacquers	15 - 20 minut	30-45 minut	approx. 240 min

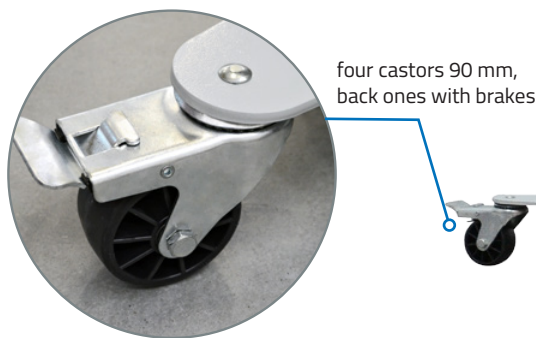
* Natural drying means drying without any additional devices. Drying time depends on air temperature.





• **NTools FDS 3300**
Radiator (3.3 kW) with time and temperature adjustment on telescopic arm

Radiator NTools FDS 3300 has three independent segments with single filaments of power of 1100 W each. The telescopic arm allows for drying most surfaces of the vehicles. The heating module may be positioned horizontally or vertically. Moreover the single segment angle may be adjusted, allowing for drying e.g. bonnet and mudguard at the same time.



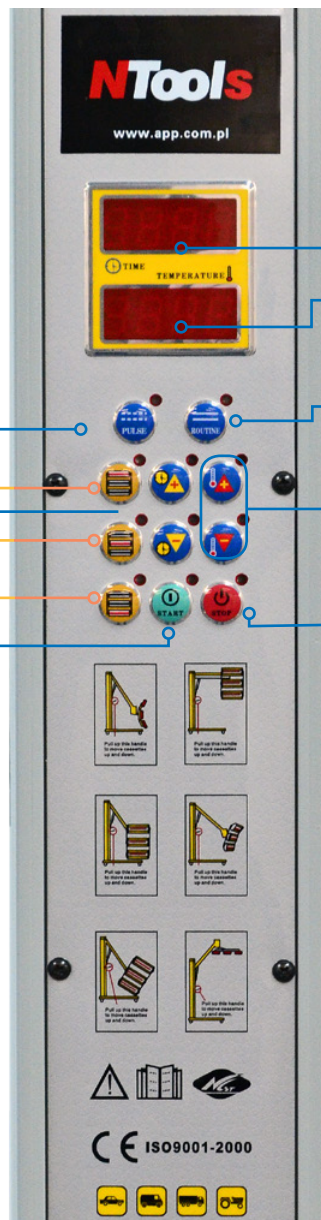
APP no.	Product name	Power supply	Power consumption	Heating temperature	Drying area	Time settings	Light power adjustment
190281	NTools FDS 3300	Single phase 220 V, 50/60 Hz	3 x 1100W	35 - 80 °C	1200mm x 1000mm	Electronic from 1 to 99 min	from 35 to 100 (%)

• **NTools FDS 3300**
Radiator (3.3 kW) with time and temperature adjustment on telescopic arm

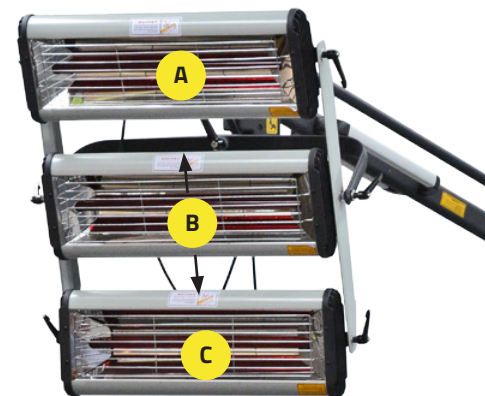
ELECTRONIC CONTROL PANEL

This functional electronic control panel allows for adjusting the drying power and time. Moreover the possibility of independent activation of each lamp and the pulse drying function allow for better solvent evaporation and faster hardening of the lacquer coating.

- 3 PULSE DRYING FORCED EVAPORATION
- 5 TIME SETTING KEYS (1 - 99 MIN)
- 7 ON/OFF SWITCH
- *KEY FOR SELECTING FILAMENT A
- *KEY FOR SELECTING FILAMENT B
- *KEY FOR SELECTING FILAMENT C



- 1 DRYING TIME DISPLAY
- 2 HEATING POWER DISPLAY
- 4 CONTINUOUS HEATING
- 6 POWER SETTING KEYS (35 - 100%)
- 8 ON/OFF SWITCH



* Radiator allows for activating the filaments in any configuration: A+B+C, A+C, A+B, C+B, etc.



• **NTools FDS 3300**
Radiator (3.3 kW) with time and temperature adjustment on telescopic arm

Advantages of NTools FDS radiators:

- **QUALITY:** high quality of dried surface
- **SPEED:** immediate activation: full power in a few seconds from switching on
- **CLEANNES:** no by-products and contaminants emitted by lamps
- **SAFETY:** the lamp is resistant to heat shocks due to quartz bulb
- **SAVINGS:** more than 85% of consumed energy is converted into infrared heat radiation
- **FUNCTIONALITY:** possibility of the luminous flux power adjustment: the infrared lamps may be precisely adjusted (from 35% to 100%)
- **DURABILITY:** high durability of filaments - lamp operational life up to 2500 h

Comparison of NTools FDS radiators available in APP offer



APP no.	190279	190280P	190281	190282
Model	FDS 1000	FDS 2000 Plus	FDS 3300	FDS 4000
Power supply	Single phase 220 V, 50/60 Hz	Single phase 220 V, 50/60 Hz	Single phase 220 V, 50/60 Hz	Single phase 220 V, 50/60 Hz
Consumed power	1 x 1000W	2 x 1100W	3 x 1100W	4 x 1000W
Filament	41 cm (1000W)	53 cm (1100W)	53 cm (1100W)	37 cm (1000W)
Dried area	800mm x 500mm	1000mm x 800mm	1200mm x 1000mm	1200mm x 1000mm
Operational height	200 cm	175 cm	190 cm	210 cm
Temperature	30-80°C	35-80°C	35-80°C	35-80°C
ustawienia czasu	Manualnie od 1 do 60 min	electronic from 1 to 99 min	electronic from 1 to 99 min	electronic from 1 to 99 min
Light power adjustment	none	none	from 35 to 100 (%)	from 35 to 100 (%)