

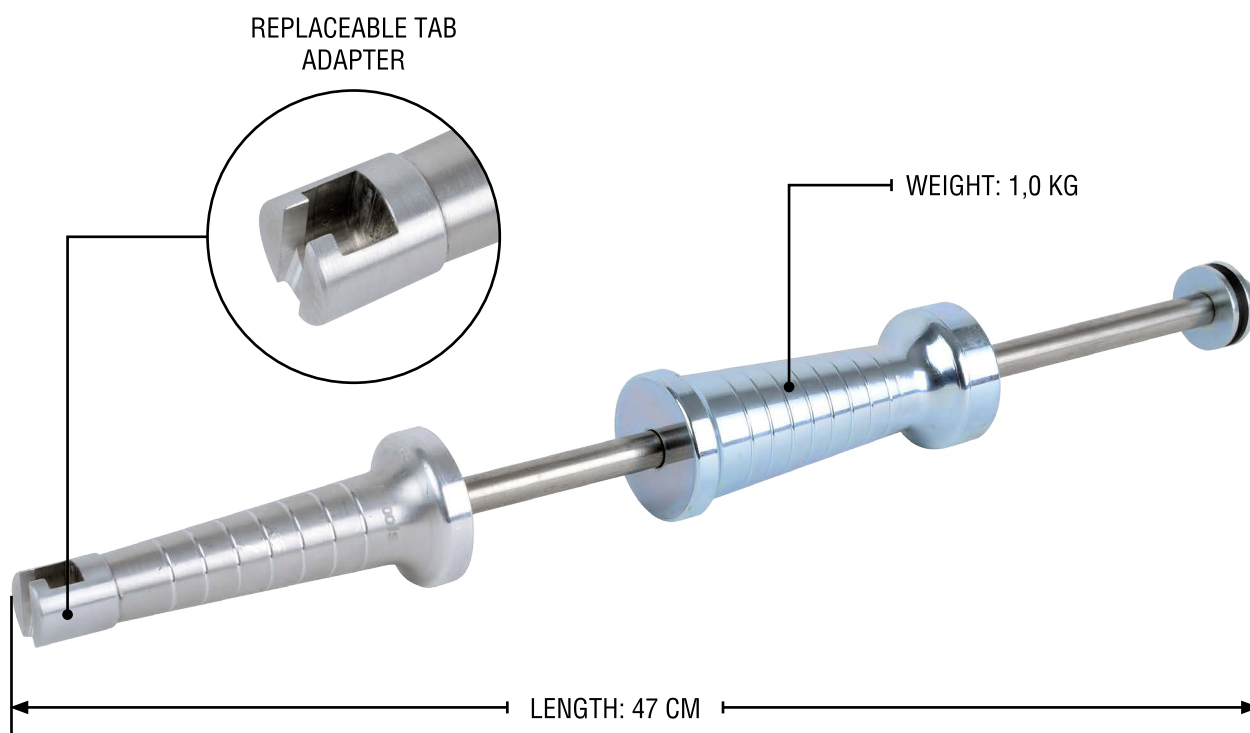


## • Alu Inertia Hammer for NTools MB1000 Tabs

**APP No. 351886**

**NTools PDR MB1000** Inertia Hammer is purposed for paintless dent repairs. It is lightweight **steel** or **aluminium** device that it very convenient in use and ensures work comfort during car body repairs.

Hammer **is provided along with replaceable tab adapter** compatible with almost any tabs used during paintless dent repairs with glue pulling method.



APP No.	Name	Total weight	Bulk package
351886	Alu Inertia Hammer for NTools MB1000 Tabs	1,64 kg	1 pcs.